

High current contact block

*Developed in the field, for the field -
tested and proven in the past, for the future*



Jürgen Erhardt e.K.
Siemensstraße 15
D - 74722 Buchen
Fon: 06281 / 5201-0

No wearing parts or control elements

Contact pressure applied corresponds to weight carried

No heat (when technical requirements fulfilled)

Suitable for fully automatic equipment

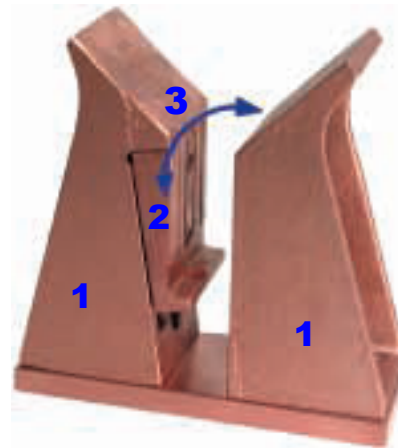
Fast changeover between batches

Optimum current flow

Easy maintenance

Long life

Self-tensioning



The contact block consists basically of two massive fixed contact forks (1).

When introducing the carrying rail, a vertically movable wedge (2) is pressed downwards, to establish a safe frictional connection.



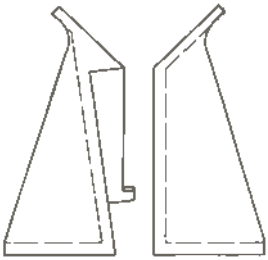
The contact pressure applied will always correspond to the carried weight of the rail plus loads carried.

The wedge is spring-loaded and thus tolerates some movement in the direction of the rail (3), compensating for some irregularity in the plane-parallel contact faces and some bending of the rail.

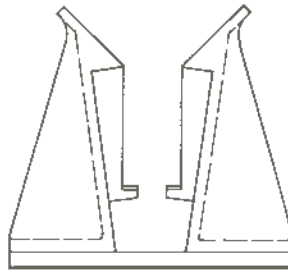


When lifting the rail, it is easily released, so that neither introducing nor removing the rail produces any adverse friction.

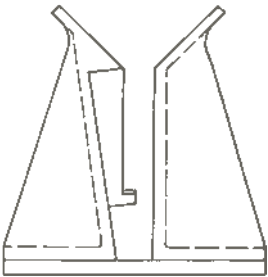
Specifications *in mm*



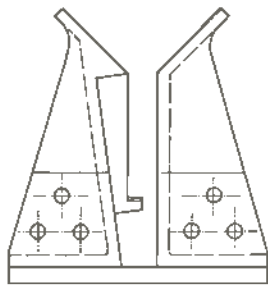
Typ E
For single installation on pre-existing, flat surfaces.



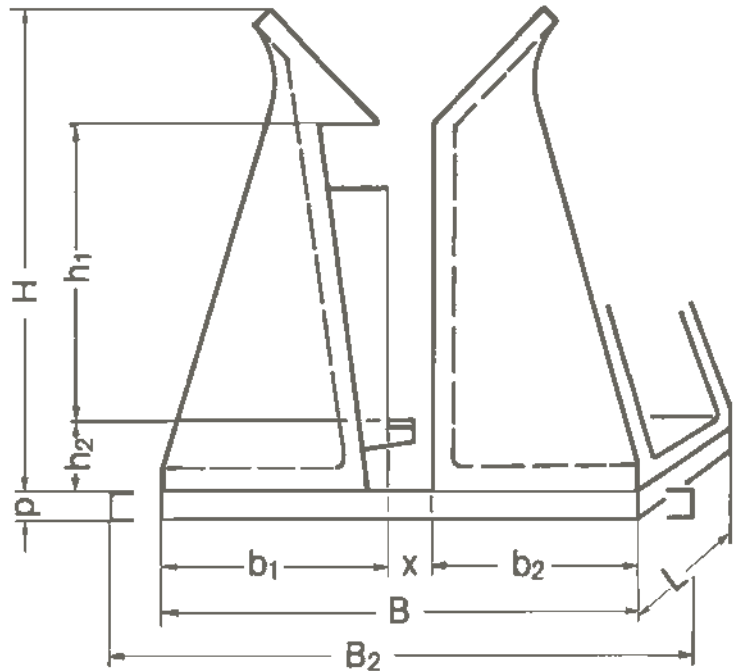
Typ K-D
Tandem wedges for more significant deviations in X dimensions.



Typ K
Compact. Mounted on base plate according to X dimensions.



Typ K+s.A.
For lateral power supply.



Typ	Contact height/length			Overall height H	P	Width B=b1+X+b2			Weight kg	B2
	h1	h2	L			b1*	X	b2*		
250 A	60	21	40	105	15	55	Rail X	50	1,8	Customised base plate, with insulation base, fastening bore, and insulation bushes.
500 A	70	22	50	125	15	60		55	2,8	
1000 A	80	24	60	145	15	65		60	3,4	
2000 A	100	29	70	175	15	86		80	6,7	
3000 A	128	30	100	215	15	109		99	15,4	
4000 A	180	30	150	215	20	106		99	23,5	
6000 A	180	35	150	275	20	125		118	36,0	
8000 A	180	35	200	275	30	125		118	44,0	
10000 A	215	45	200	330	30	141		129	57,0	
12000 A	215	45	240	330	30	141		129	71,0	

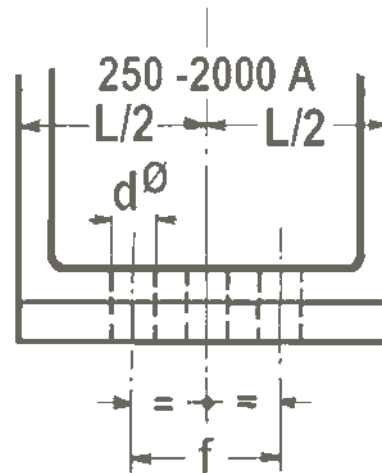
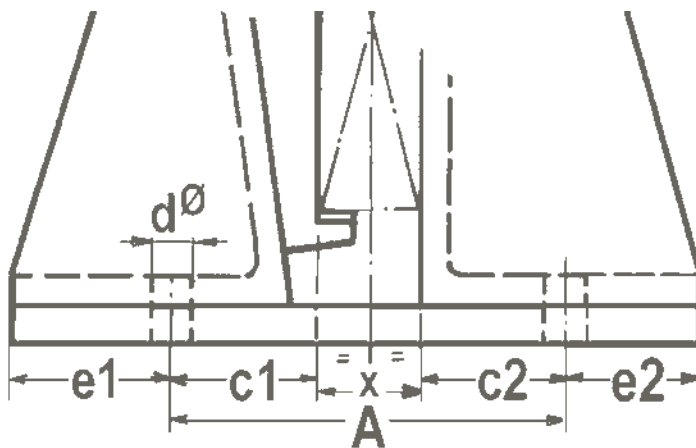
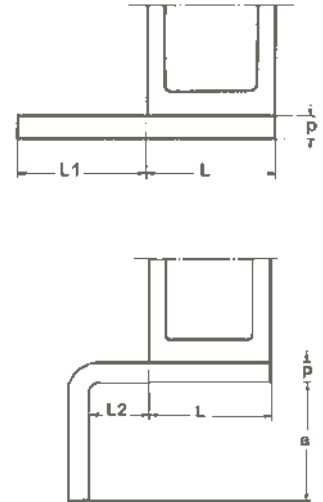
For carrying bar X = 200 mm and higher + type K-D (2 wedges)

With X tolerance -2.0 mm and more + type K-D

* For technical reasons: tolerances ± 2 mm

Dimensions *base plate, straight and angular designs*

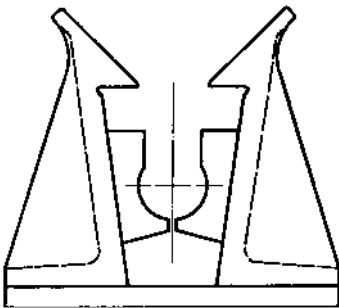
Ampere	Dimensions in mm				
	L	L1	L2	a	p
250 A	40	50	30	60	15
500 A	50	60	30	60	15
1000 A	60	70	30	60	15
2000 A	70	80	40	100	15
3000 A	100	110	50	100	15
4000 A	150	160	50	150	20
6000 A	150	160	70	150	20
8000 A	200	210	70	150	30
10000 A	200	210	100	200	30
12000 A	240	250	100	200	30



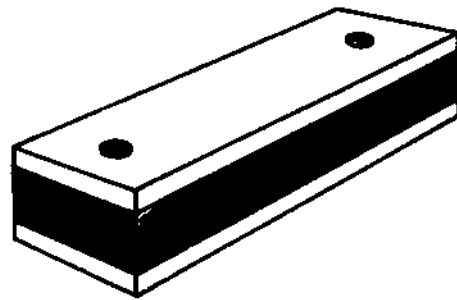
Dimensions *fastening bores*

Ampere	A = C1 + X + C2			Dimensiones in mm			
	e1 ±2	c1	Warenschiene X	c2	e2 ±2	f	d ø
250A	12	43		30	20	L/2	9
500A	29	31		31	24	L/2	9
1000A	30	35		35	25	L/2	11
2000A	36	50		50	30	L/2	11
3000A	54	55		55	44	40	11
4000A	52,5	53,5		53,5	45,5	80	11
6000A	66	59		59	59	80	11
8000A	66	59		59	59	100	11
10000A	81	60		60	69	100	11
12000A	81	60		60	69	150	11

Special Designs



Contact block for round drum contact rails



Rubber-Metal-Insulating spring element